



UM-U275S 系列概述

一. 电源规格:

电源型号 (MODEL)	输入 (VAC)	输出 (VDC)	保护功能 (PROTECTION)	尺寸 (SIZE) MM
UM-U275S12	100-264VAC (90-277VAC)	12V/16.7A	SCP/OCP/OVP/OTP	127.5mm*83mm*35mm
UM-U275S28	100-264VAC (90-277VAC)	28V/9.6A	SCP/OCP/OVP/OTP	127.5mm*83mm*35mm
UM-U275S36	100-264VAC (90-277VAC)	36V/7.63A	SCP/OCP/OVP/OTP	127.5mm*83mm*35mm
UM-U275S48	100-264VAC (90-277VAC)	48V/6A	SCP/OCP/OVP/OTP	127.5mm*83mm*35mm
UM-U275S63	100-264VAC (90-277VAC)	63V/4.6A	SCP/OCP/OVP/OTP	127.5mm*83mm*35mm

二. 系列特性:

Features

- Universal AC input/Full range;
- Built-in Active PFC;
- PF: >0.95@230VAC; >0.99@115VAC full load;
- Soft switch technology, the efficiency > 94% @230VAC (type)
- Protections:SCP/OCP/OVP/OTP;
- Small volume, base plate, U type shell;
- Low cost, high reliability, high efficiency;
- <200W Free air convection, >200W 40CFM forced air cooling by DC FAN;
- Single way output;
- 100%full load bum-in test;
- 3 years warranty.

三. 产品外观:



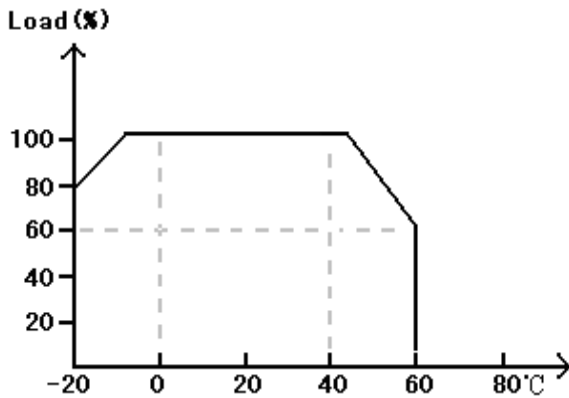
(图片仅供参考)

- net weight: 502g
- Connector: Input:3P2A/3.96MM pitch
- Output:2P/8.25MM pitch terminal block

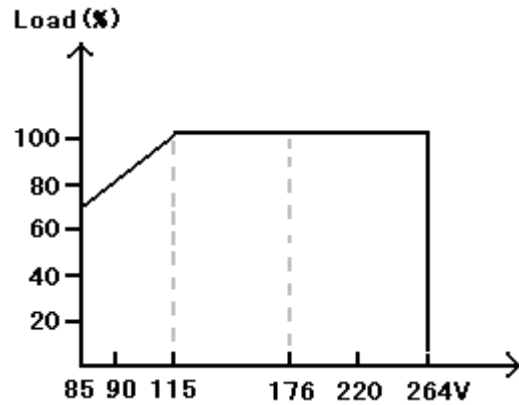


四. 工作温度，输出功率曲线以及负载曲线图：

Temperature- load curve



Input voltage- load curve



五. 测试标准：

EMC DATA:

1、 EMI

RE/CE	EN55022 CLASS A
Harmonics Current	EN61000-3-2

2、 EMS

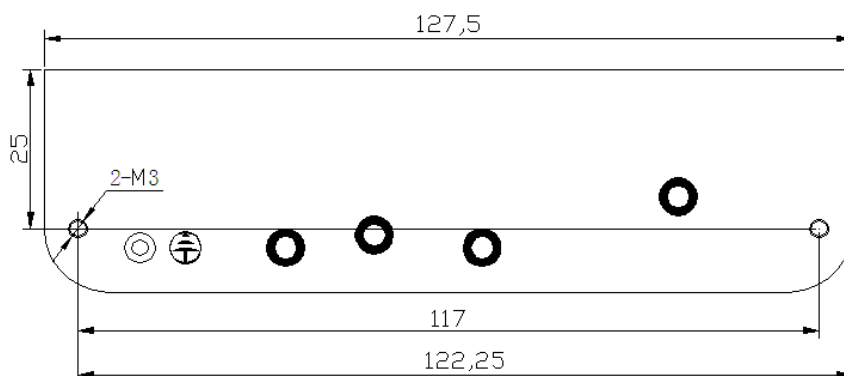
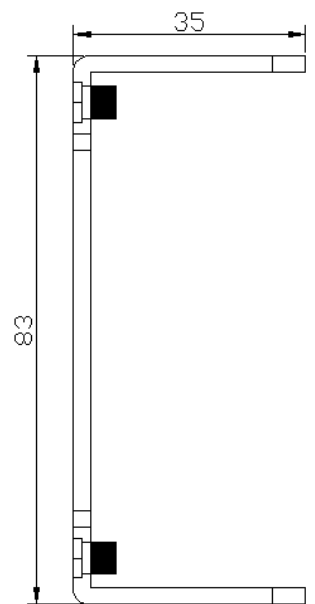
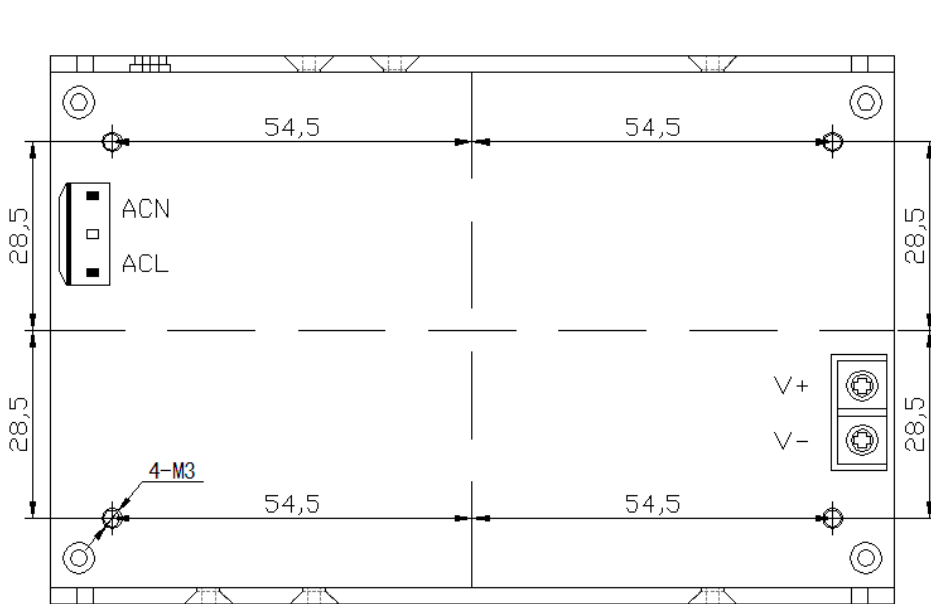
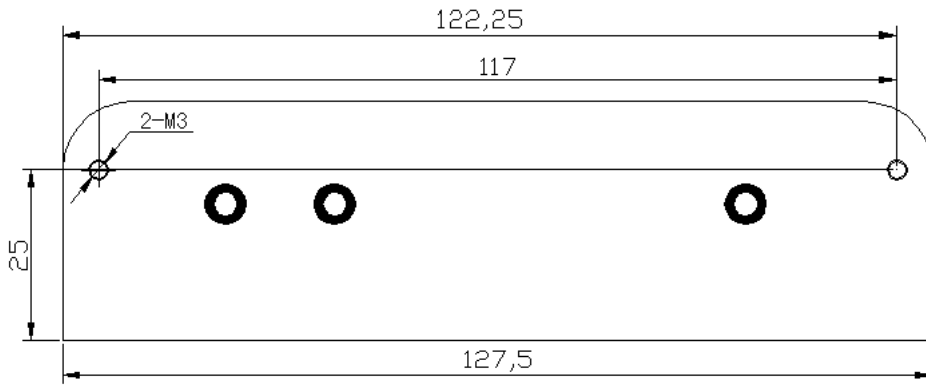
ESD	EN61000-4-2	Air:8KV Contact:4KV	Criteria A
RS	EN61000-4-3	80MHz~1GHz 3V/m	Criteria A
EFT	EN61000-4-4	5KHz AC=1KV	Criteria A
Surge Test	EN61000-4-5	1.2/50us AC: ±2KV 8/50us	Criteria A
CS	EN61000-4-6	0.15MHz-80MHz 3V/m	Criteria A
Voltage dips	EN61000-4-8	30% 10ms 60% 100ms >95% 5000ms	Criteria A
Power Frequency Magnetic Field	EN61000-4-11	50Hz 30A/m	Criteria A
RF Electromagnetic Field pulse modulated	ENV50204	900±5MHz 200Hz 3V/m, 50%Duty cycle	Criteria A



六. 安装尺寸:

build in dimension

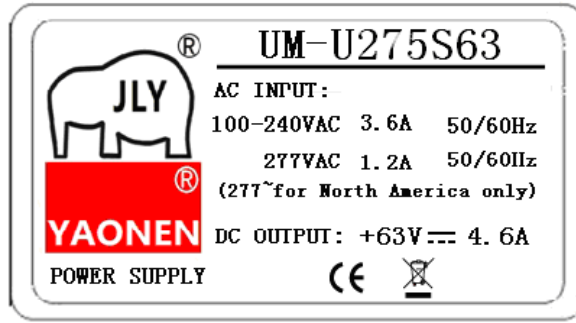
unit: mm



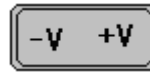


七. 标签:

Spec Label

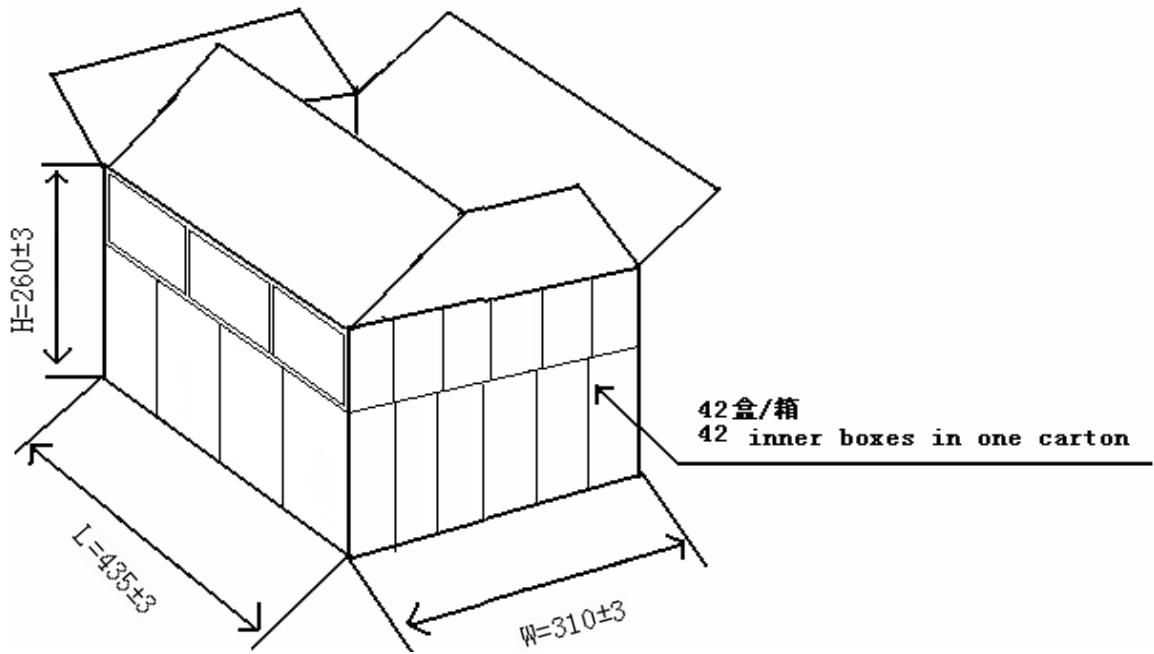


Connector define

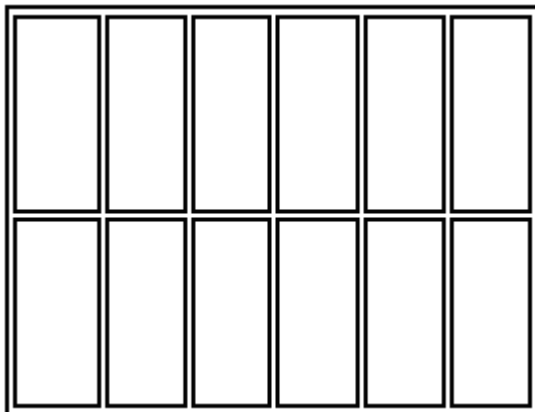


八. 包装:

Packing unit: mm



Inner Box plane



solid

