



ESM-S300S 系列概述

一. 电源规格:

电源型号 (MODEL)	输入(VAC)	输出 (VDC)	保护功能 (PROTECTION)	尺寸 (SIZE) MM
ESM-S300S3.3	90-132VAC 176-264VAC	3.3V/60A	SCP/OCP/OVP/OTP	200mm*100mm*50mm
ESM-S300S5	90-132VAC 176-264VAC	5V/60A	SCP/OCP/OVP/OTP	200mm*100mm*50mm
ESM-S300S6.5	90-132VAC 176-264VAC	6.5V/60A	SCP/OCP/OVP/OTP	200mm*100mm*50mm
ESM-S300S7.5	90-132VAC 176-264VAC	7.5V/50A	SCP/OCP/OVP/OTP	200mm*100mm*50mm
ESM-S300S12	90-132VAC 176-264VAC	12V/25A	SCP/OCP/OVP/OTP	200mm*100mm*50mm
ESM-S300S24	90-132VAC 176-264VAC	24V/14.5A	SCP/OCP/OVP/OTP	200mm*100mm*50mm
ESM-S300S28	90-132VAC 176-264VAC	28V/12.5A	SCP/OCP/OVP/OTP	200mm*100mm*50mm
ESM-S300S36	90-132VAC 176-264VAC	36V/9.75A	SCP/OCP/OVP/OTP	200mm*100mm*50mm

二. 系列特征:

Features

- AC input range selectable by switch
- Compact size
- Protections: SCP /OCP/ OVP/OTP
- High efficiency
- Low cost, high reliability
- 100% full load burn-in test
- 1 years warranty

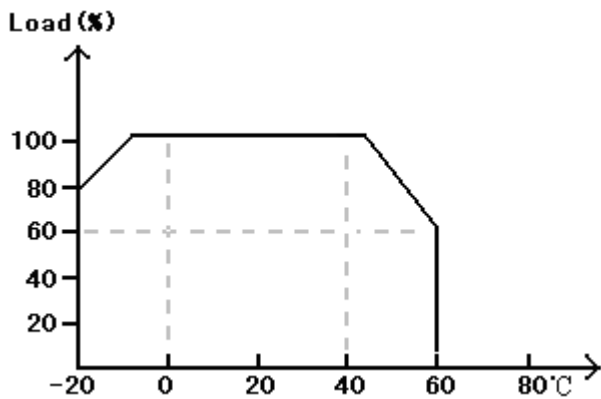
三. 产品外观:



net weight: 902 g

四. 工作温度, 输出功率曲线:

Temperature- load curve



五. 测试标准:

EMC DATA:

1、 EMI

RE/CE	EN55022 CLASS A
Harmonics Current	EN61000-3-2

2、 EMS

ESD	EN61000-4-2	Air:8KV Contact:4KV	Criteria A
RS	EN61000-4-3	80MHz~1GHz 3V/m	Criteria A
EFT	EN61000-4-4	5KHz AC=1KV	Criteria A
Surge Test	EN61000-4-5	1.2/50us AC: ±2KV 8/50us	Criteria A
CS	EN61000-4-6	0.15MHz-80MHz 3V/m	Criteria A
Voltage dips	EN61000-4-8	30% 10ms 60% 100ms	Criteria A

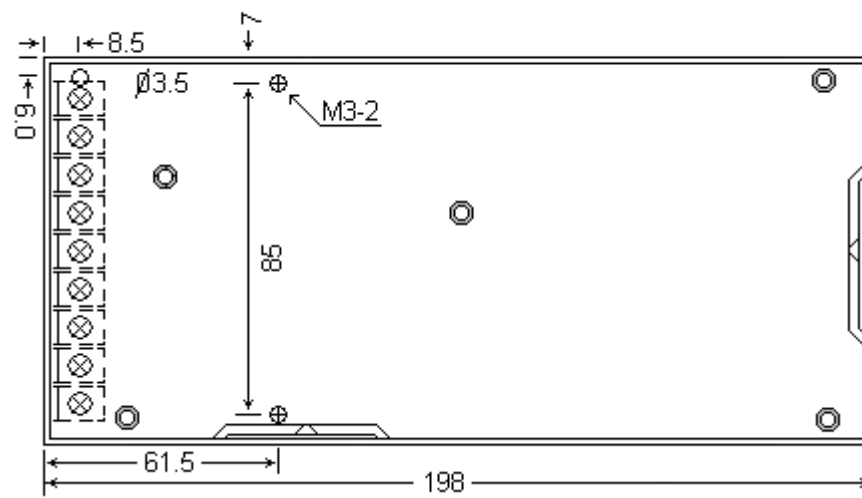
		>95% 5000ms	
Power Frequency Magnetic Field	EN61000-4-11	50Hz 30A/m	Criteria A
RF Electromagnetic Field pulse modulated	ENV50204	900±5MHz 200Hz 3V/m, 50%Duty cycle	Criteria A

六. 安装尺寸:

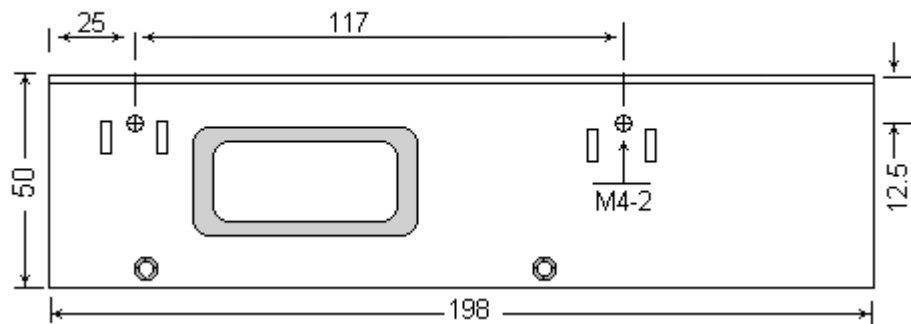
build in dimension

unit: mm

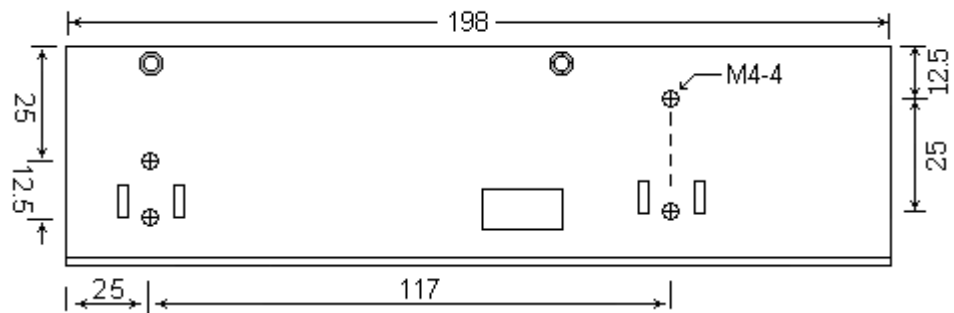
1、底视图



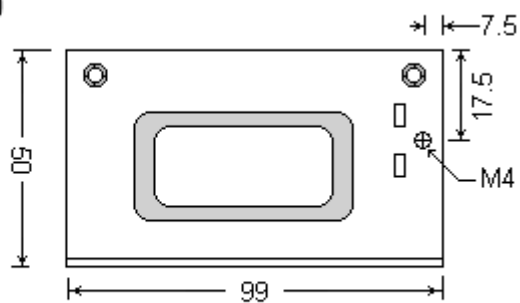
2、右侧图



3、左侧图



4、背面图



注：◎为PCB安装孔，⊕为机壳安装孔。

七. 标签:

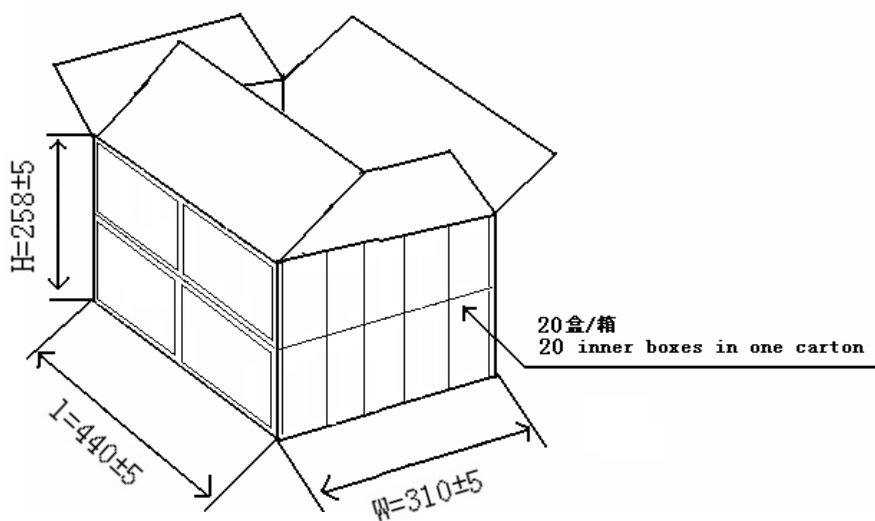
Spec Label

AC INPUT: 100-120VAC I max 5.8A 176-240VAC I max 3.4A 50/60Hz	DC OUTPUT: +24V \pm 14.5A MODEL: ESM-S300S24		
+V	-V		N (AC) L

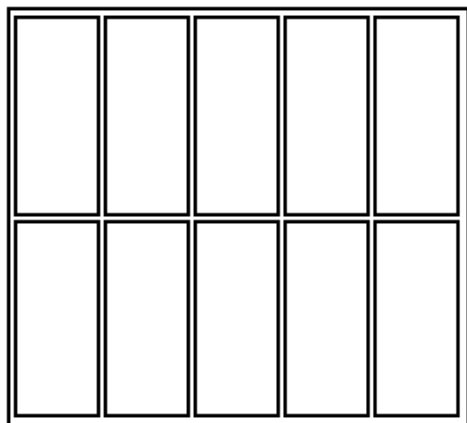
八. 包装:

Packing

unit: mm



Inner Box plane



solid

